



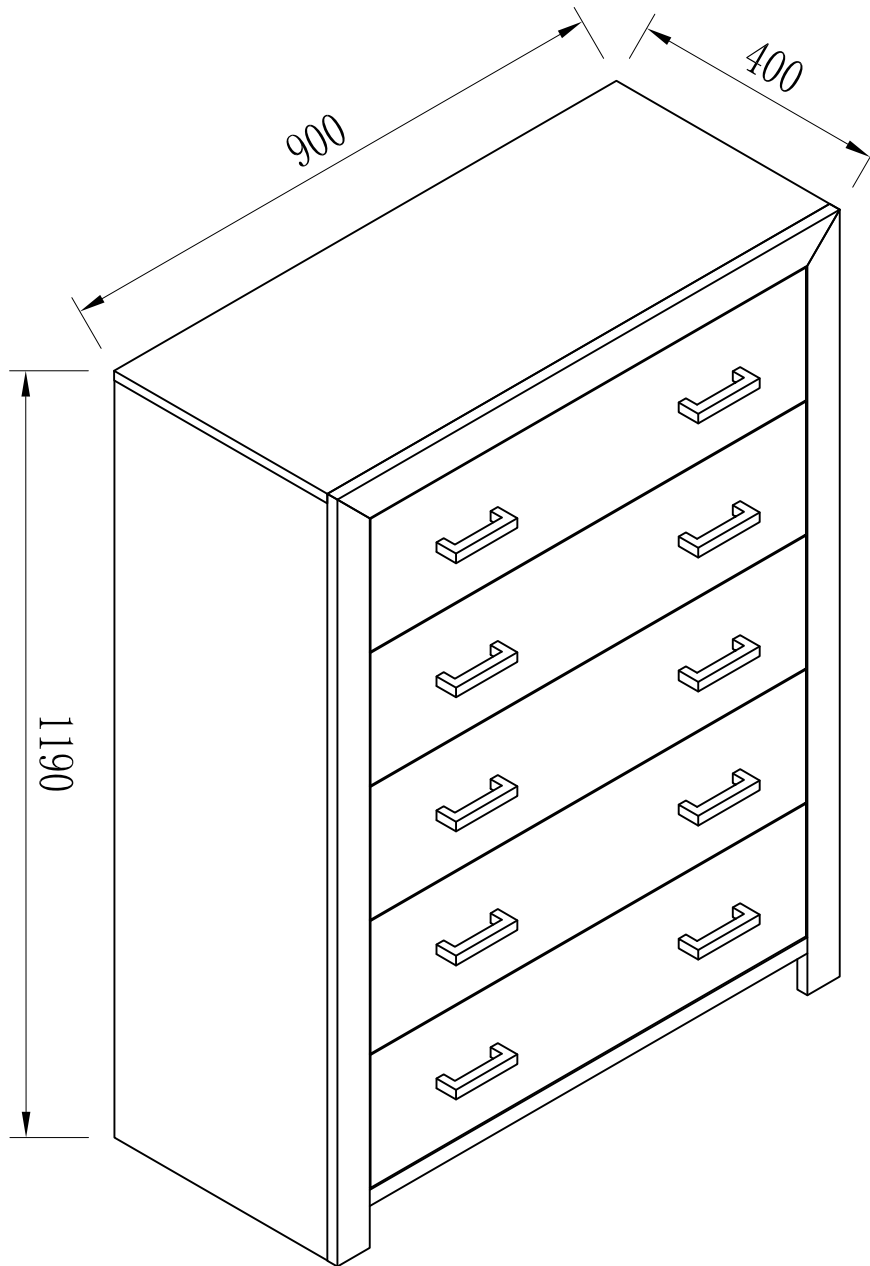
ASSEMBLY INSTRUCTION

TIBET 5 DRAWER TALL CHEST

ITEM CODE 53220

Imported by Super Amart Pty Ltd. Qld. Brisbane Australia.

For any assistance with assembly or for missing parts please phone
Super Amart Ewing Road, Customer Service Free call 1800 351 084



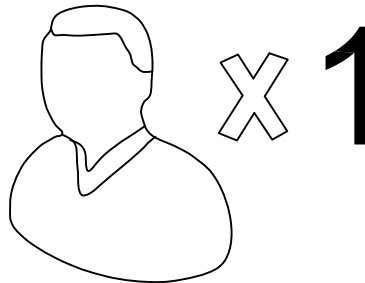
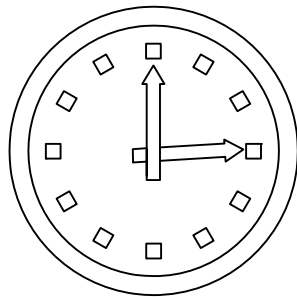
Imported by Super Amart Pty Ltd. Qld. Brisbane Australia.

For any assistance with assembly or for missing parts please phone Super
Amart Ewing Road, Customer Service Free call 1800 351 084

PRE-ASSEMBLY PREPARATION

Before you start:

1. **Choose a clean, level, spacious assembly area.** Avoid hard surfaces that may damage the product
2. Take care when lifting. Product should be assembled as near as possible to the point of use
3. Ensure that you have all required contents for complete assembly.
4. Always read the assembly instructions carefully before beginning assembly.
5. Keep all hardware parts and packaging out of reach of small children.
6. Do not over tighten the screws and bolts as this may damage the threads



WARNING

Serious or fatal injuries may occur from furniture toppling over. To help avoid this please follow the below recommendations:

- Install the provided “Tipping Kit” as per the instructions
- Never allow children to climb on or hang off of any part of this product
- Unless specifically designed to accommodate, do not set TVs or other heavy objects on top of this product

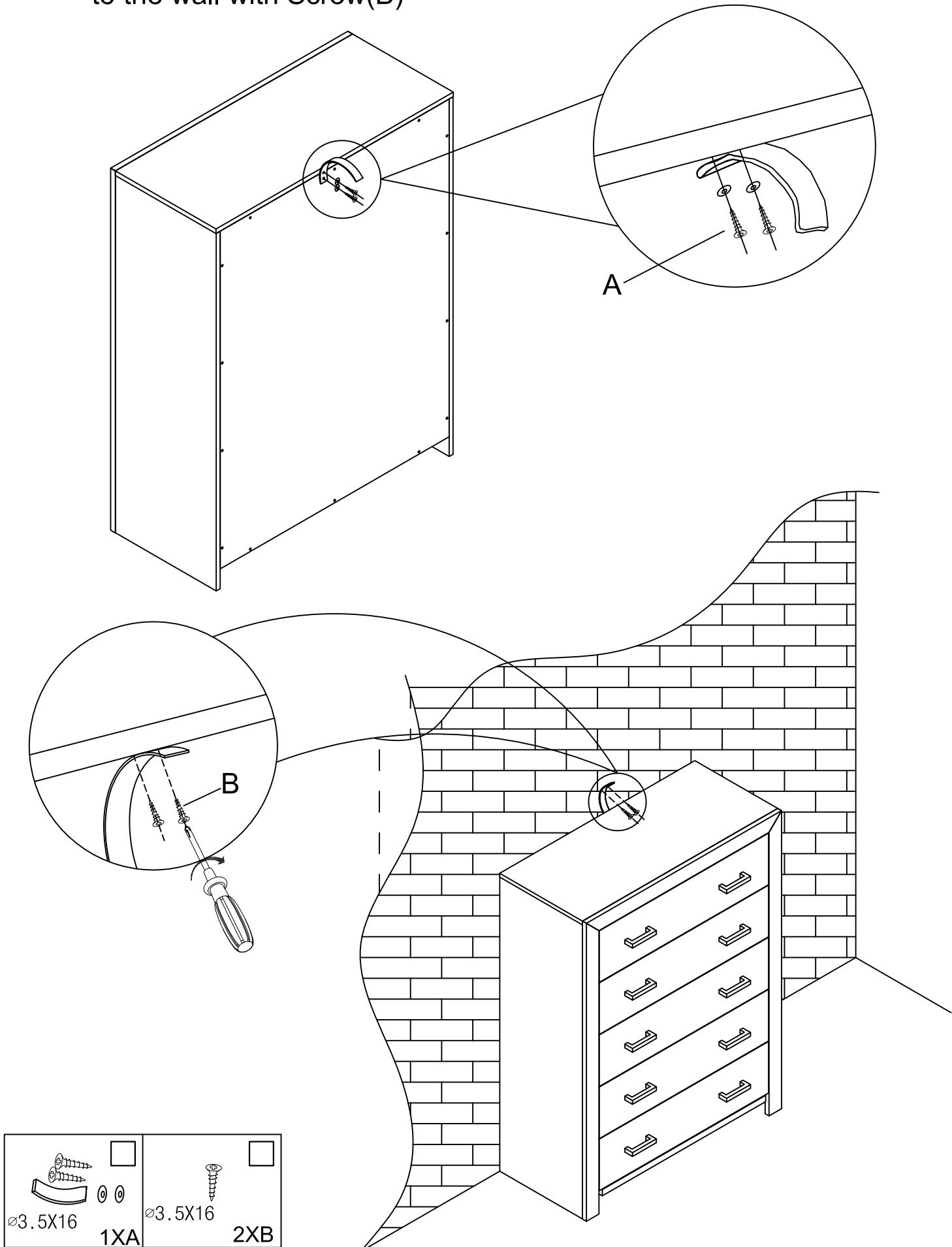
If this product has drawers:

- Place the heaviest items in lowest drawers
- Do not open more than 1 drawer at a time as this may cause the product to become unbalanced
- Do not tamper with or remove any drawer interlocking/running system

Note: The use of the provided “Tipping Kit” may reduce but not necessarily eliminate the risk of furniture toppling over. Please use this product with caution.

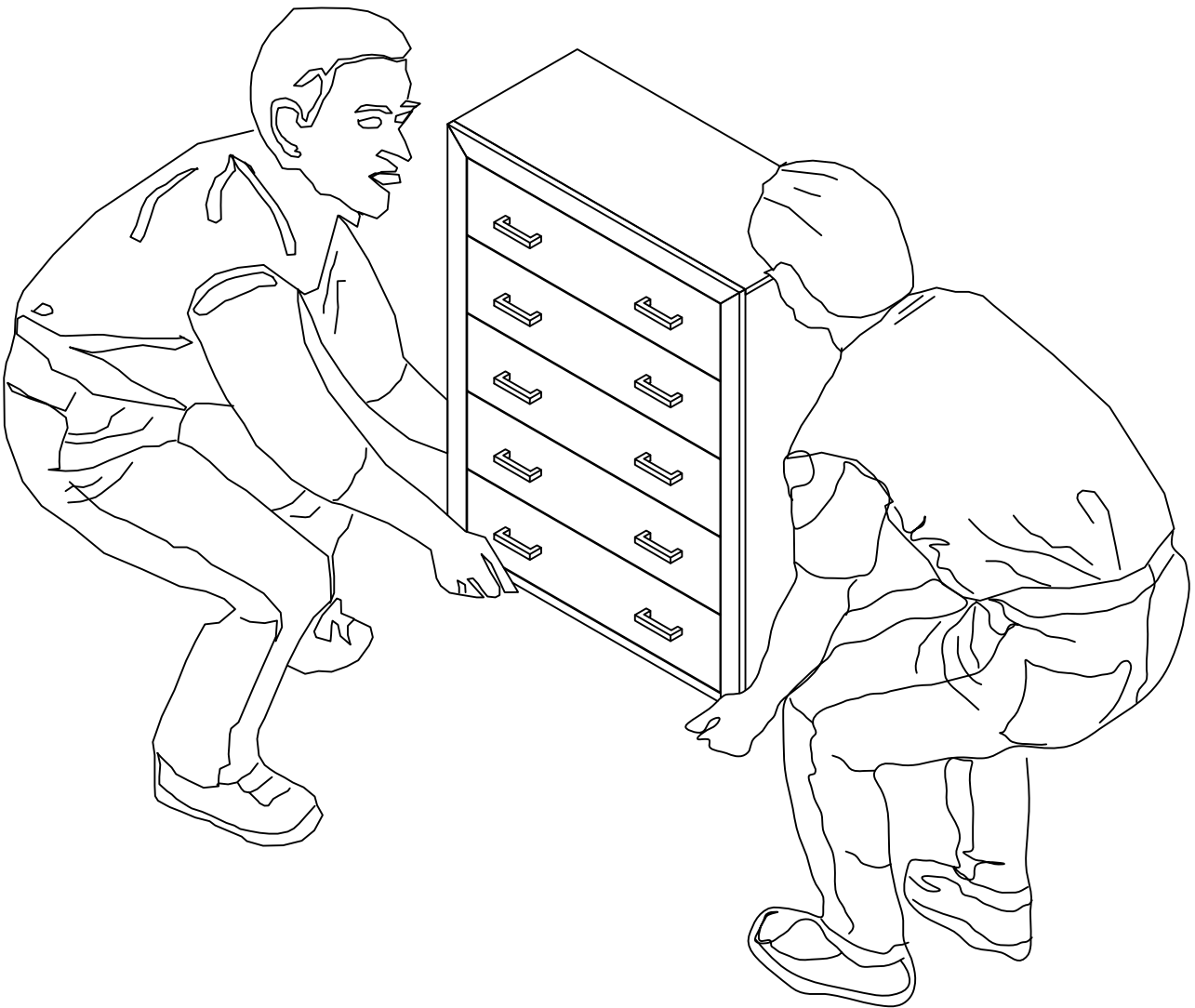
This is a permanent label. Do not attempt to remove!

Step 1. Affix Belt(A)to Top panel using Screw and washer(A) Using two people position chest into desired location and then affix Belt(A) to the wall with Scrow(B)



Note -

Do not drag the furniture as this may cause damage to the legs. Instead, use 2 persons to lift carefully with caution from either end.



IMPORTANT: CARE GUIDE FOR YOUR HI-GLOSS FURNITURE

Congratulations! You have just purchased a quality product from Super Amart, Australia's largest discount furniture retail store. Please read on for important information regarding your purchase...

Hi-gloss lacquered furniture is more sensitive to marks and scratching than some other furniture products. It is important to exercise caution and care to maximise the life and beauty of this product.

Following the below simple guidelines when using your hi-gloss product will protect your investment for years to come:

- Dust frequently with a clean damp, lint-free cloth. This will help remove abrasive build up which can damage a finish over time.
- Avoid using chemicals or solvents when cleaning the product.
- Do not place hot objects on any furniture surface. Always use a hot plate or placemat. Lacquer finishes provide added scratch and heat resistance to our furniture, but they can still be damaged without proper care.
- Avoid exposing your furniture to strong sunlight. Prolonged exposure to direct sunlight can fade the finish of your furniture.
- Do not expose your furniture to any liquids. Avoid allowing water to sit on your furniture. Alcohol, nail polish and perfume are particularly harmful as they will dissolve the lacquer finish on contact.
- Do not allow plastic to come in direct contact with your furniture. Chemicals in the plastic of some placemats etc may soften and mark the finish if left in contact with the furniture for a period of time.
- Avoid placing sharp or rough objects on the surface of your furniture. These may scratch the surface of the product.
- When moving your furniture, do not drag it across the floor. This may damage the product. Instead use two people to lift carefully with caution from either end.



Warning:



Super Amart Furniture

Hi-gloss Furniture

Lacquered furniture is highly sensitive and conducive to marks and scratching. Please exercise extreme caution and care to maximize the life of this beautiful product.

1. Only use a warm damp cloth when cleaning furniture.
2. Do not use any chemicals or solvents.
3. Keep furniture away from direct sunlight or over heater vents as this may cause discoloring.
4. Do not place any hot items directly on the surface.
5. Do not place any sharp or rough objects on the surface.
6. Do not drag furniture. Use two people to lift carefully with caution from either end.